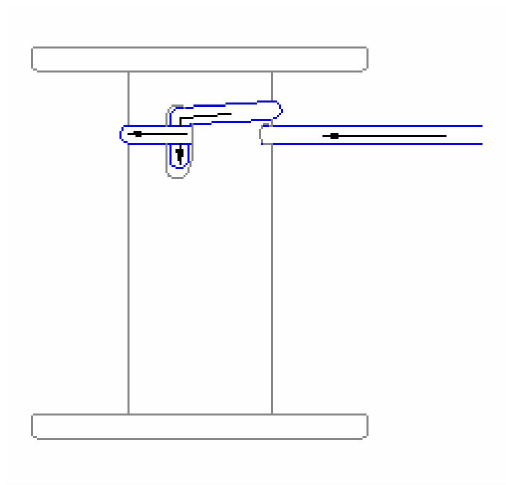


## MOUNTING INSTRUCTIONS FOR DRUM MOUNTING (without screw)

**This mounting method is used on most atv winches some older units use a screw to mount to the side of the drum. You will then need a screw terminal added.**

**Please check the box when checking out if you need this terminal.**

**We add it at no extra cost.**



**Insert rope through small hole**

**It will exit the large slot mouth style hole**

**Take the end and wrap around the drum**

**Making sure you have the wrap going in the right direction**

**Tuck the end of the rope under itself**

**Pull rope tight to snug up**

**\*\*\* NEVER OPERATE THE WINCH  
WITH LESS THAN 5 OR 6 WINDS ON  
YOUR SPOOL\*\*\***